

DE

Technische Unterlagen

Ökodesignverordnung

EN

Technical Documents

Ecodesign Regulation



# MIG 155/6W Schutzgas-Schweissgerät

#20072

1

DE

## Materialliste

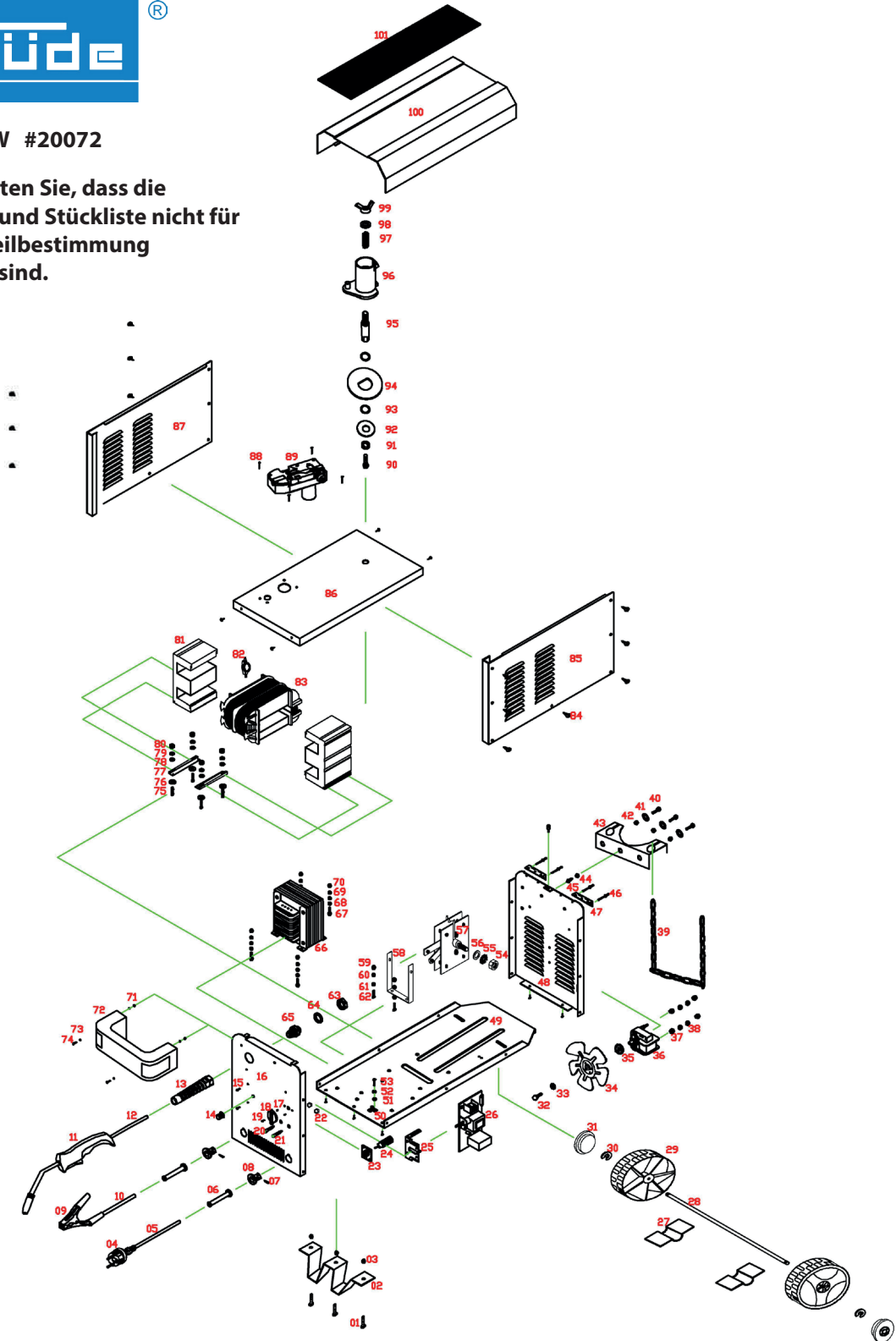
EN

Bill of materials

Güde®

MIG 155/6W #20072

Bitte beachten Sie, dass die Zeichnung und Stückliste nicht für die Ersatzteilbestimmung angedacht sind.

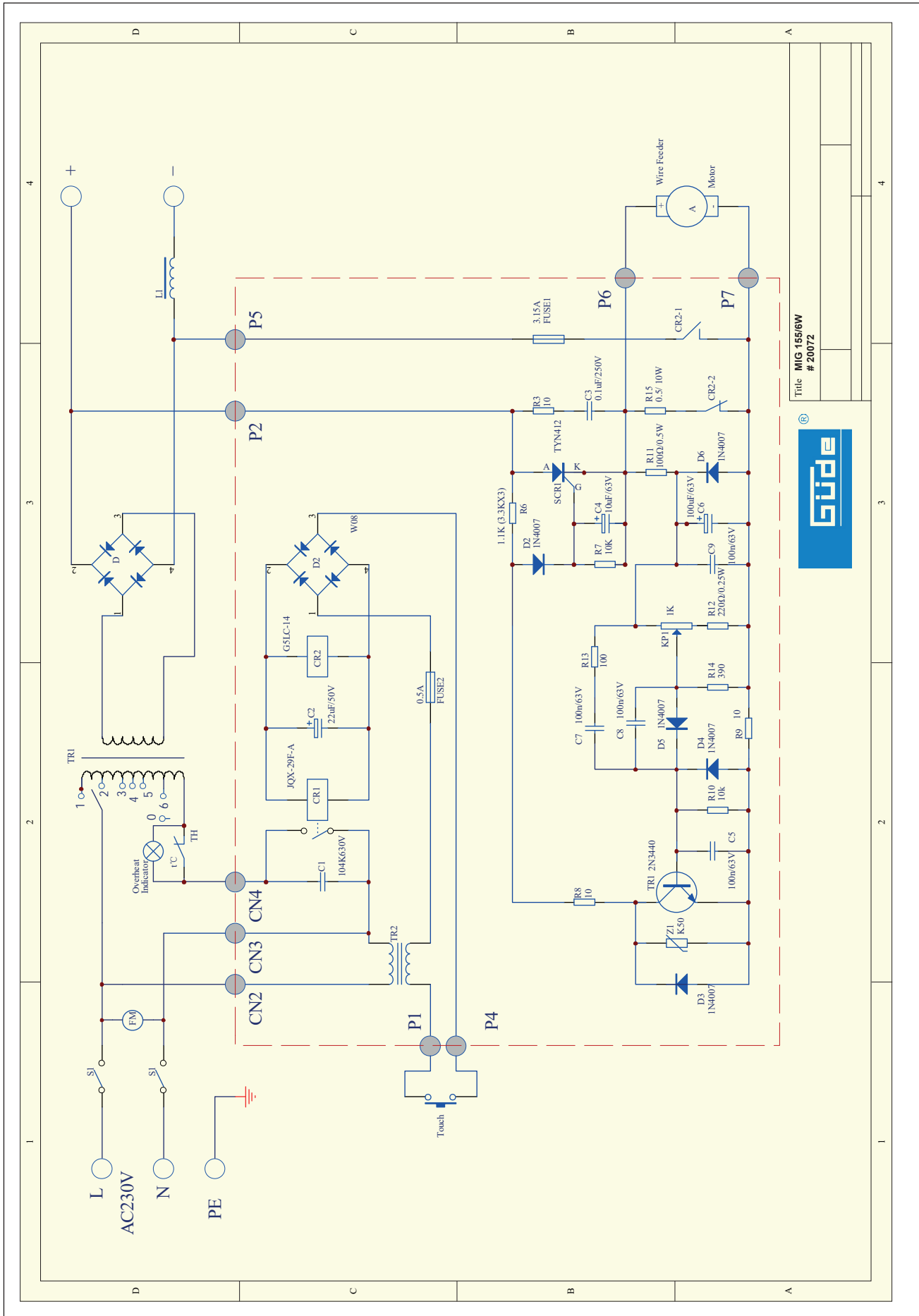


Schutzgas-Schweißgerät MIG 155/6W

| No | MIG 155/6W<br># 20072      | Specifications                        | Unit  | Qty | remark |
|----|----------------------------|---------------------------------------|-------|-----|--------|
| 1  | screw                      | M5*8mm round-head cross               | Pc    | 3   | 3g     |
| 2  | Foot                       |                                       | Pc    | 1   | 150g   |
| 3  | Nut                        | M5                                    | Pc    | 3   | 3g     |
| 4  | Euro-plug                  | FP-006 250V 16A IP44                  | Pc    | 1   | 455g   |
| 5  | Power cable                | H07RN-F 3G1.5mm2                      |       |     |        |
| 6  | cable jacket               |                                       | Pc    | 2   | 16g    |
| 7  | screw                      | M3X12mm round-head cross              | Pc    | 2   | 2g     |
| 8  | Lock stud                  | CE                                    | Pc    | 2   | 9g     |
| 9  | Earth clamp                | KDF-1250                              | Pc    | 1   | 108g   |
| 10 | Welding cable              | H01N2-D 1X10mm2                       |       |     | 611g   |
| 11 | MIG torch                  | KDH-8200 200A 35%                     | Set   | 1   | 744g   |
| 12 | Torch welding cable        | H01N2-D 1X10mm2                       | Metal |     |        |
|    | Torch wire                 | 1X0.5mm2                              | Metal |     |        |
|    | Wire pipe                  | Spring pipe                           | Metal |     |        |
| 13 | Lock stud jacket           | PA6                                   | Pc    | 1   | 10g    |
| 14 | potentiometer knob         |                                       | Pc    | 1   | 1g     |
| 15 | screw of circuitry board   | M4*10mm self tapping round-head cross | Pc    | 2   | 3g     |
| 16 | Front panel                |                                       | Set   | 1   | 686g   |
| 17 | screw of switch            | M4*12mm flat-head cross               | Pc    | 2   | 2g     |
| 18 | Switch knob                |                                       | Pc    | 1   | 4g     |
| 19 | screw of knob              | M3*6mm round-head cross               | Pc    | 1   | 1g     |
| 20 | Power indicator light      | AD-16W-1 AC 230V M10                  | Pc    | 1   | 1g     |
| 21 | Over-heat indicator light  | AD-16Y-1 AC 230V M10                  | Pc    | 1   | 1g     |
| 22 | screw of indicator light   | M10                                   | Pc    | 2   | 2g     |
| 23 | stator of switch           |                                       | Pc    | 1   |        |
| 24 | shelves switch             | HZ8B-20/3/4                           | Pc    | 1   | 149g   |
| 25 | bracket of circuitry board |                                       | Pc    | 1   | 14g    |
| 26 | PCB board                  |                                       | Set   | 1   | 324g   |
| 27 | stator of axle             |                                       | Pc    | 2   | 26g    |
| 28 | axle                       | 8*315mm                               | Pc    | 1   | 150g   |
| 29 | Wheels                     | WHEEL-250 (PP)                        | Pc    | 2   | 172g   |
| 30 | Clip                       |                                       | Pc    | 2   | 1g     |
| 31 | Cover of wheel             |                                       | Pc    | 2   | 96g    |
| 32 | screw of fan               | M4X14mm hexagon head                  | Pc    | 1   | 1g     |
| 33 | 0-type washer              | Φ21mm                                 | Pc    | 1   | 2g     |
| 34 | Fan leaves                 | 140mm                                 | Set   | 1   | 32g    |
| 35 | base of fan leaves         |                                       | Pc    | 1   | 3g     |
| 36 | Motor                      | YZF-2-30 230/400V 50HZ                | Pc    | 1   | 519g   |
| 37 | nut of fan                 | M4                                    | Pc    | 4   | 2g     |
| 38 | Flat washer                | Φ4mm                                  | Pc    | 4   | 1g     |
| 39 | chain of gas bottle        |                                       | Pc    | 1   | 176g   |
| 40 | screw                      | M5*20 hexagon cross                   | Pc    | 3   | 3g     |
| 41 | Flat washer                | Φ5mm                                  | Pc    | 3   | 2g     |

| No | MIG 155/6W<br># 20072    | Specifications              | Unit | Qty | remark |
|----|--------------------------|-----------------------------|------|-----|--------|
| 42 | Nut                      | M5                          | Pc   | 3   | 3g     |
| 43 | bracket of gas bottle    |                             | Pc   | 1   | 274g   |
| 44 | nut                      | M8mm                        | Pc   | 1   | 2g     |
| 45 | Gas-in mouth             |                             | Pc   | 1   | 11g    |
| 46 | rivet                    | Φ4X10mm                     | Pc   | 1   | 4g     |
| 47 | hinge                    |                             | Pc   | 2   | 30g    |
| 48 | Back panel               |                             | set  | 1   | 729g   |
| 49 | Motherboard              |                             | set  | 1   | 1282g  |
| 50 | Earth piece              |                             | Pc   | 1   | 0.6g   |
| 51 | dentiform washer         | Φ4mm                        | Pc   | 1   | 0.06g  |
| 52 | Spring washer            | Φ4mm                        | Pc   | 1   | 0.2g   |
| 53 | Earth screw              | M4X10mm                     | Pc   | 1   | 1.2g   |
| 54 | Nut                      | M8mm                        | Pc   | 2   | 2g     |
| 55 | dentiform washer         | Φ10mm                       | Pc   | 2   | 1g     |
| 56 | Flat washer              | Φ10mm                       | Pc   | 2   | 4g     |
| 57 | rectify bridge           | 180A                        | Alu  | 1   | 393g   |
| 58 | rectify bridge supporter |                             | Alu  | 1   | 64g    |
| 59 | Nut                      | M5X8mm round-head cross     | Pc   | 2   | 3g     |
| 60 | Spring washer            | Φ5mm                        | Pc   | 2   | 0.1g   |
| 61 | Flat washer              | Φ5mm                        | Pc   | 2   | 1g     |
| 62 | screw                    | M5X8mm round-head cross     | Pc   | 2   | 3g     |
| 63 | screw                    | Φ27mm                       | Pc   | 1   | 3g     |
| 64 | Rubber washer            | Φ27mm                       | Pc   | 1   | 3g     |
| 65 | Lock-stud knob           | PG21                        | Pc   | 1   | 10g    |
| 66 | Reactance steel          | 114mm                       |      |     | 3773g  |
| 67 | screw                    | M5X14mm hexagon cross       | Pc   | 4   | 14g    |
| 68 | Flat washer              | Φ5mm                        | Pc   | 4   | 2g     |
| 69 | Spring washer            | Φ5mm                        | Pc   | 4   | 0.2g   |
| 70 | nut                      | M5                          | Pc   | 4   | 4g     |
| 71 | nut                      | M6                          | Pc   | 2   | 2g     |
| 72 | Handle                   |                             | Pc   | 1   | 53g    |
| 73 | Flat washer              | Φ6mm                        | Pc   | 4   | 2g     |
| 74 | screw                    | M6*20                       | Pc   | 2   | 4g     |
| 75 | screw                    | M5X20mm hexagon cross       | Pc   | 4   | 14g    |
| 76 | Flat washer              | Φ5mm                        | Pc   | 4   | 4g     |
| 77 | bracket of transformer   | U型                          | Pc   | 2   | 137g   |
| 78 | Flat washer              | Φ5mm(小号)                    | Pc   | 4   | 4g     |
| 79 | Spring washer            | Φ5mm                        | Pc   | 4   | 0.2g   |
| 80 | nut                      | M5                          | Pc   | 4   | 4g     |
| 81 | Steel                    | 160X110X75mm                | Pc   | 1   | 8600g  |
| 82 | Thermal protector        | KDS-R302 128℃ 32A 400V      | Pc   | 1   | 18g    |
| 83 | Transformer winding      |                             | Pc   |     | 2000g  |
| 84 | screw                    | M4*10mm self tapping round- | Pc   | 23  | 37g    |

| No  | MIG 155/6W<br># 20072 | Specifications           | Unit | Qty | remark |
|-----|-----------------------|--------------------------|------|-----|--------|
| 85  | Right-side panel      |                          | Set  | 1   | 918g   |
| 86  | Clapboard             |                          | Set  | 1   | 986g   |
| 87  | Left-side panel       |                          | Set  | 1   | 918g   |
| 88  | screw                 | M5X50mm round-head cross | Pc   | 4   | 4g     |
| 89  | Motor                 | KD241 24V 0.4A           | Set  | 1   | 489g   |
| 90  | screw                 | M10X20mm hexagon head    | Pc   | 1   | 16g    |
| 91  | Spring washer         | Φ10mm                    | Pc   | 1   | 1g     |
| 92  | Mat                   |                          | Pc   | 1   | 24g    |
| 93  | Wave-type mat         | Φ12mm                    | Pc   | 2   | 0.5g   |
| 94  | Big washer            |                          | Pc   | 1   | 29g    |
| 95  | Axle                  | 1/5kg                    | Pc   | 1   | 60g    |
| 96  | wire-feed plate       | 1/5kg                    | Pc   | 1   | 60g    |
| 97  | Spring                | 1.4X30mm                 | Pc   | 1   | 3g     |
| 98  | Bush                  |                          | Pc   | 1   | 2g     |
| 99  | Butterfly nut         | M10mm                    | Pc   | 1   | 11g    |
| 100 | Cover board           |                          | Set  | 1   | 1476g  |
| 101 | Rubber                |                          | Pc   | 1   | 293g   |



Titel MIG 155/6W  
# 20072



GÜDE GmbH & Co. KG  
Birkichstrasse 6  
74549 Wolpertshausen  
Deutschland  
Tel.: +49-(0)7904/700-0  
Fax.: +49-(0)7904/700-250  
eMail: info@guede.com

